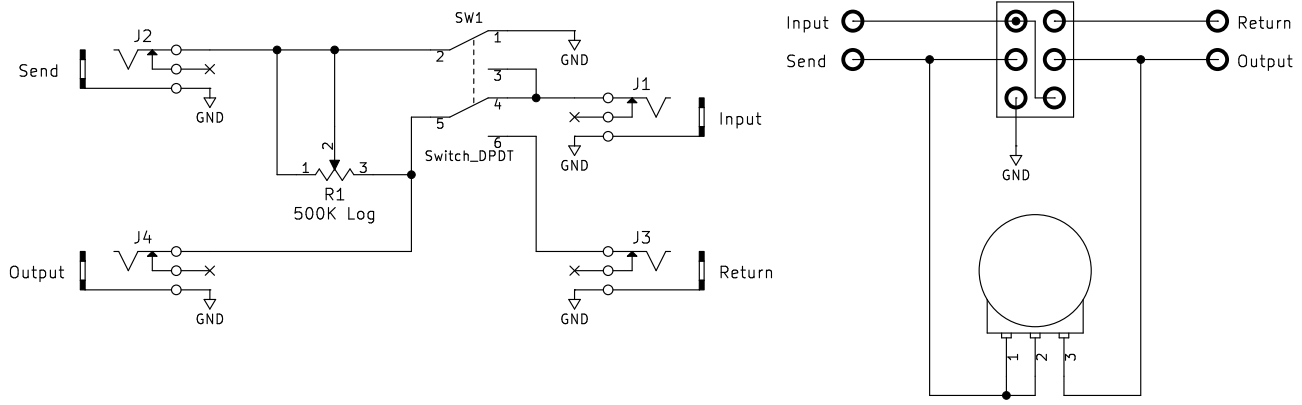
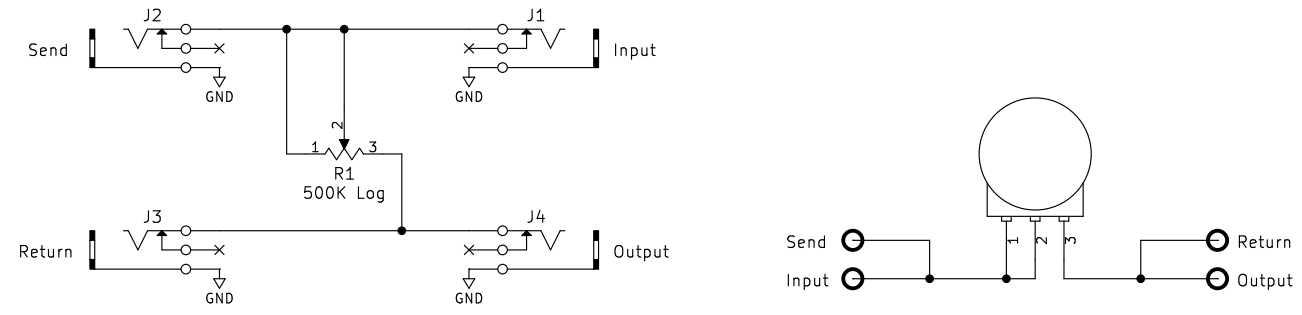


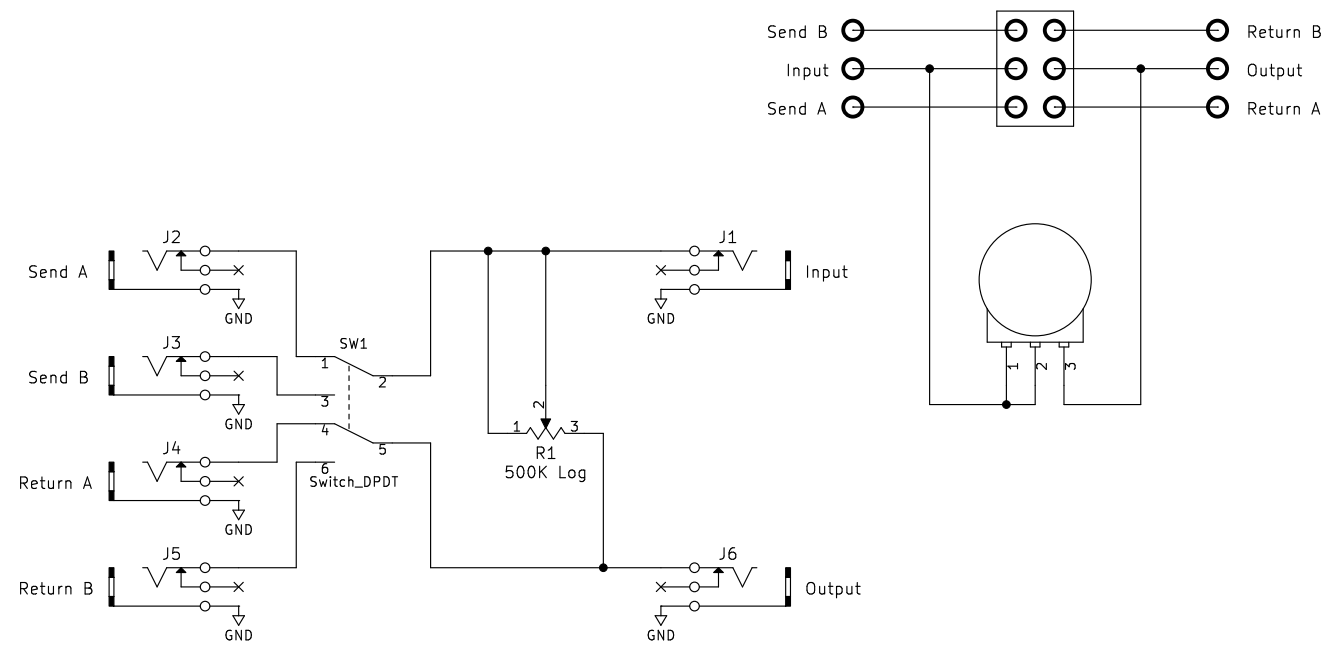
Version 3 (with bypass switch)



Version 4 (simple)



Version 5 (with A/B loop)



**\* Un!** Title: Feedback Loop

Inspired by the excellent but now dormant DIY Shoegazer  
<http://diyshoegazer.tumblr.com/post/3042080186/diy-guide-to-feedback-loop-pedals>

I've used 47K Log instead of 500K Log

Size: A4	Date: 2017-03-07	Rev: 3-5
www.unrecordings.co.uk		Sheet: 1/1